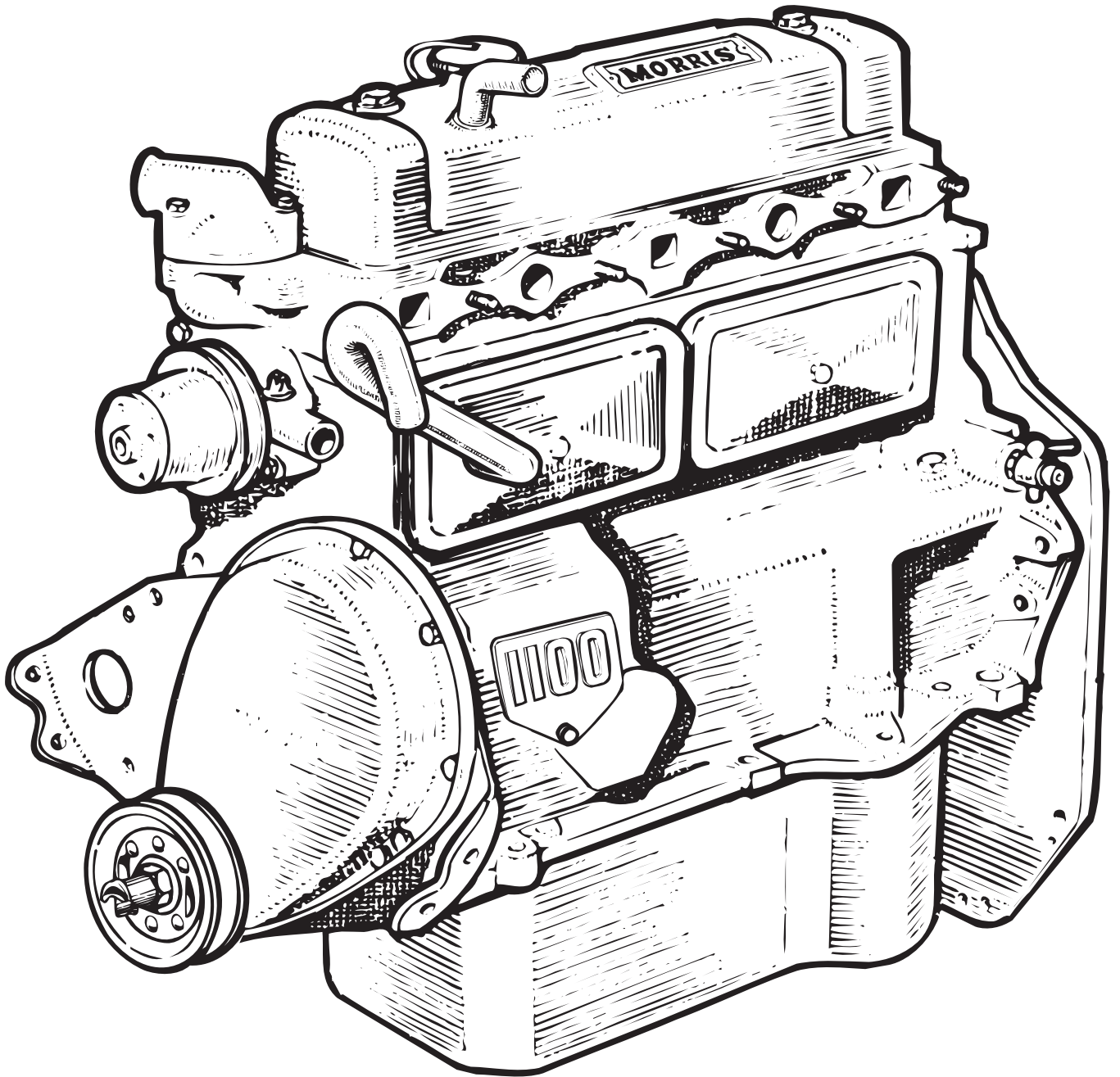
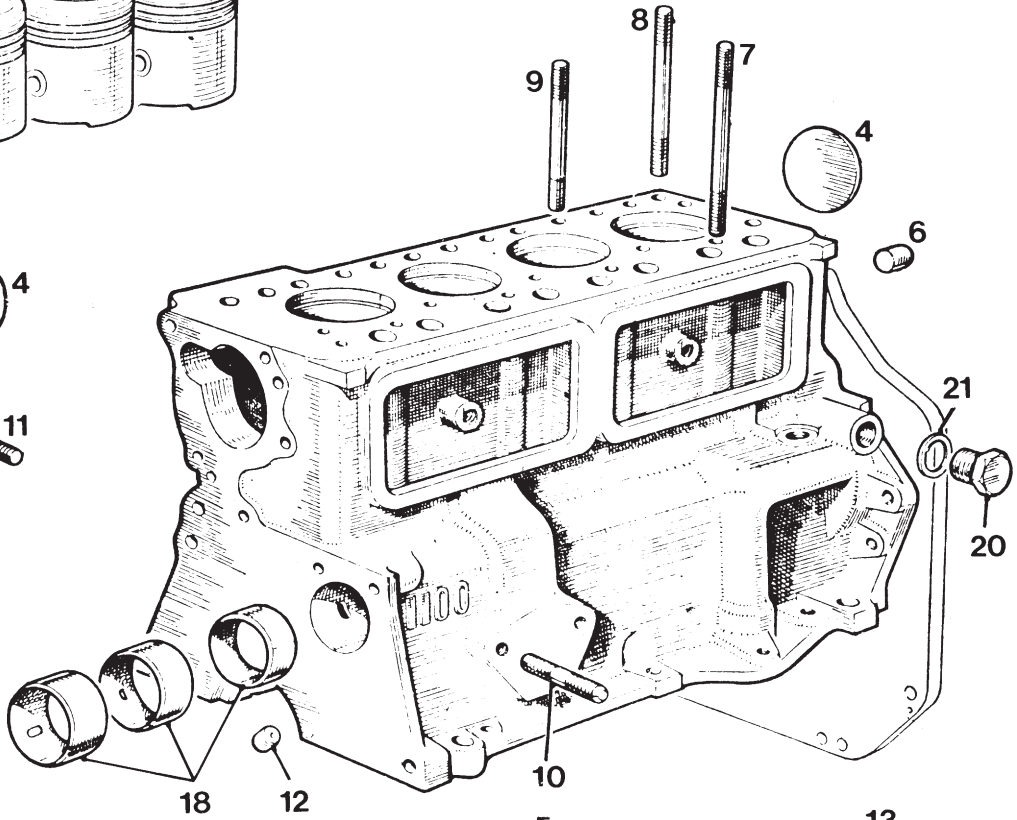
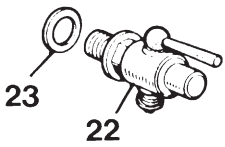
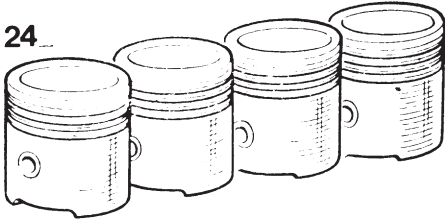
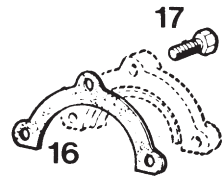
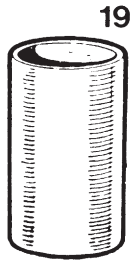
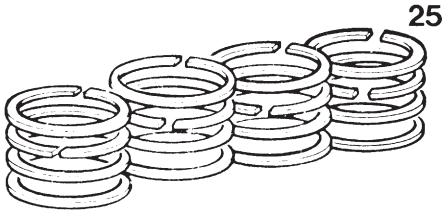
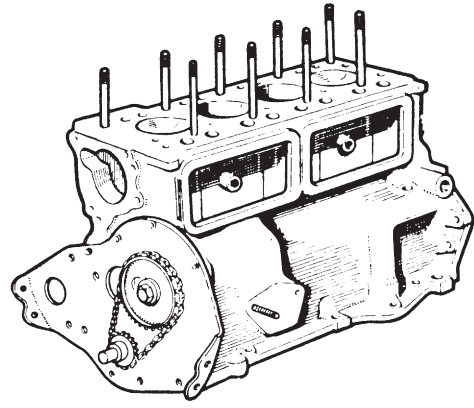
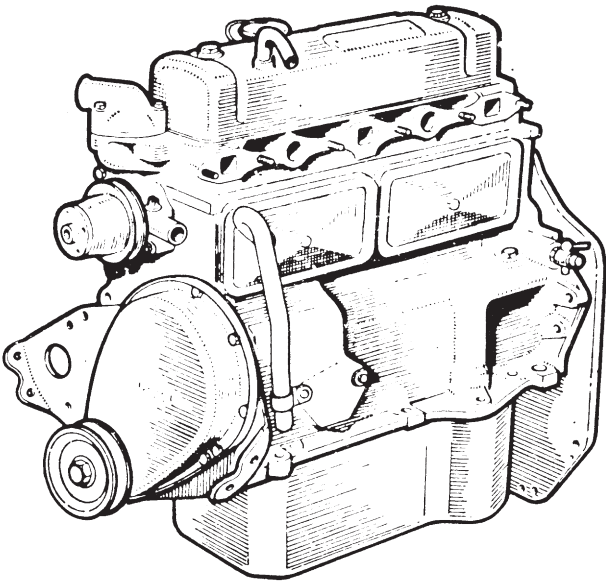
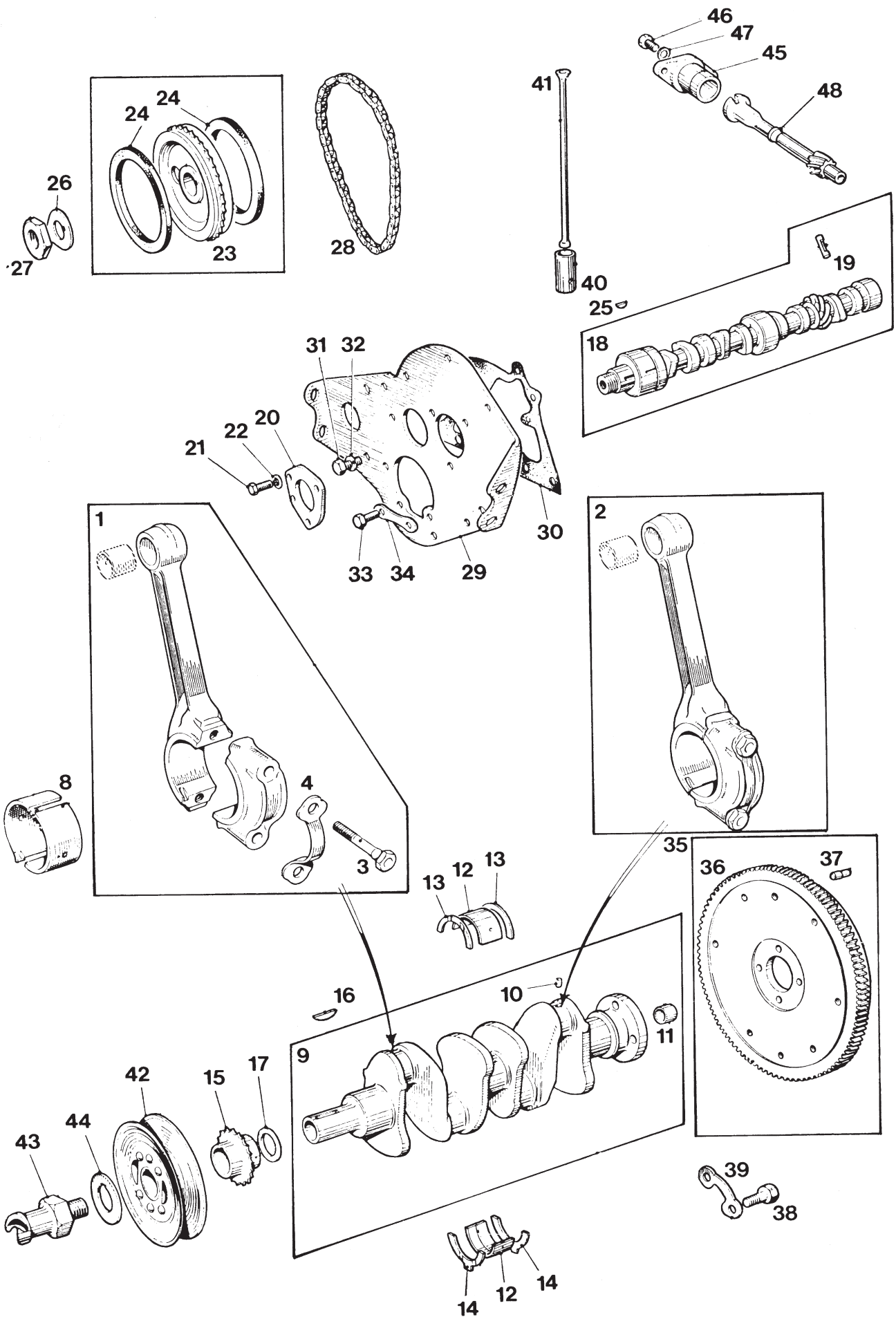


1098cc

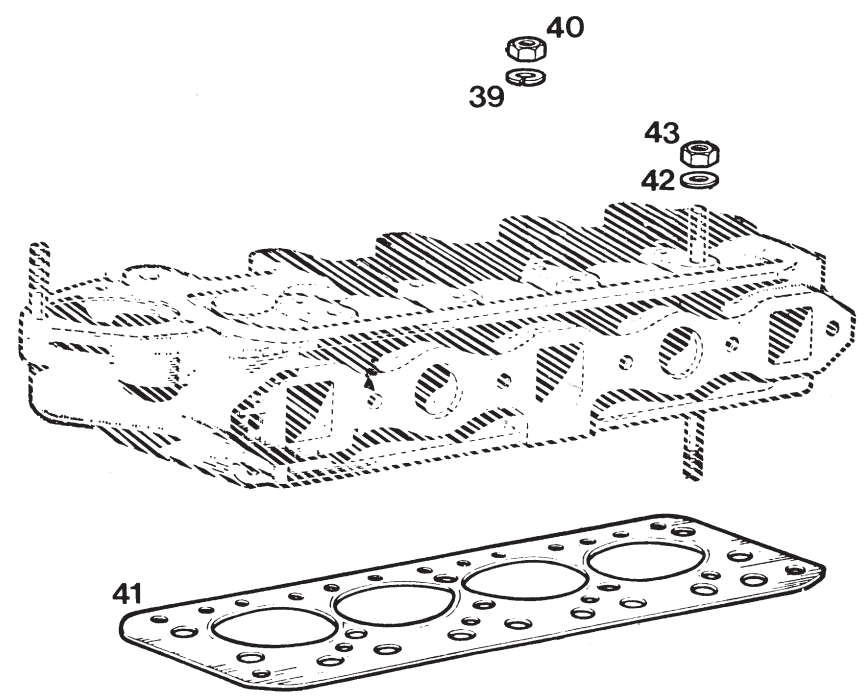
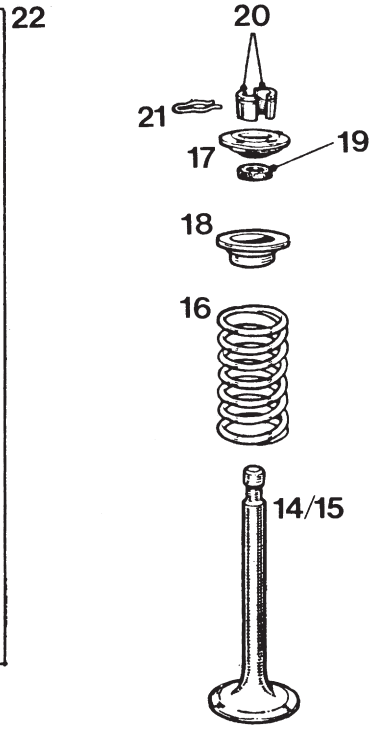
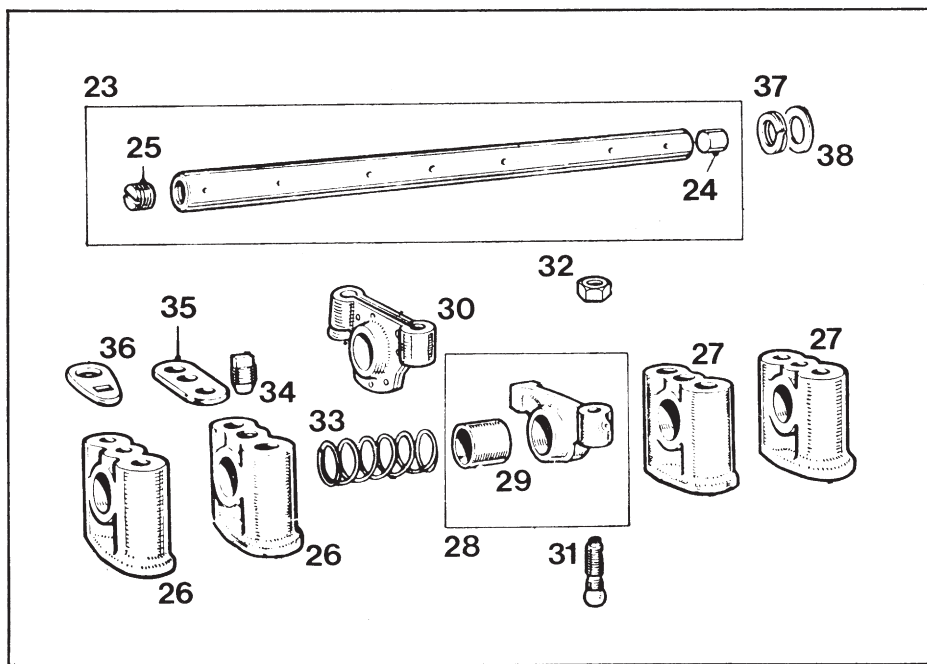
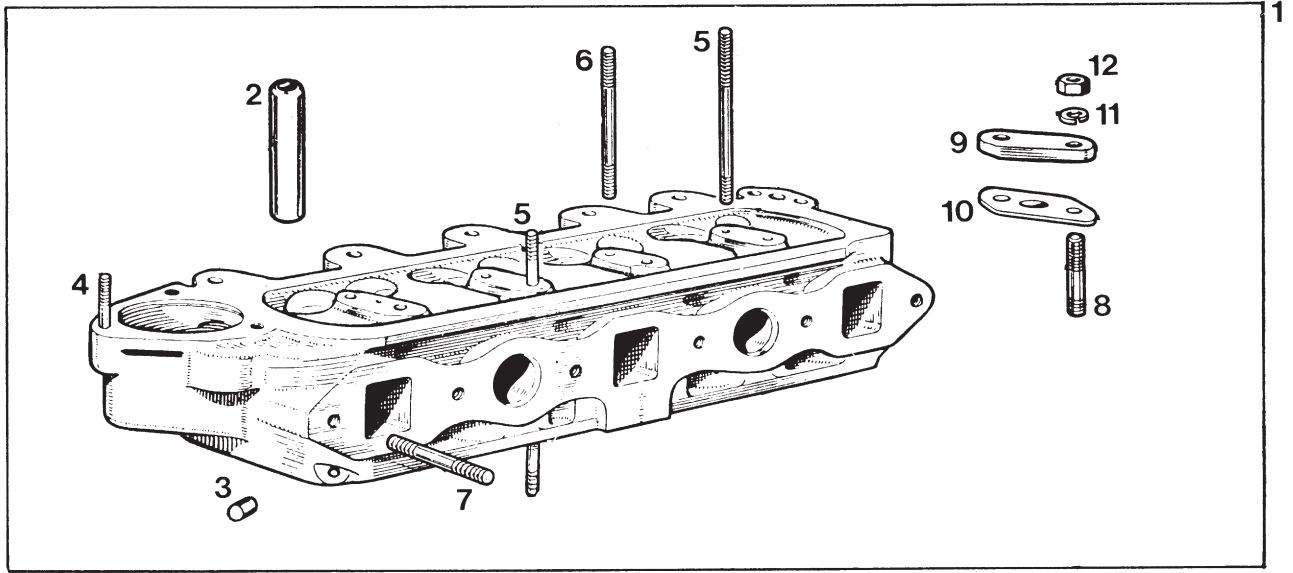




Part Number	ESM Order Ref.	Illus. No.	Description	Remarks
10M103	10M103	4	Core plug	
10M104	10M104	5	Plug - oil release valve passage	
10M105	10M105	6	Plug - oil gallery	
10M106	FIX117	7	Stud - cylinder head - long	
		8	Stud - cylinder head - medium	Use 10M107
10M107	FIX118	9	Stud - cylinder head - short	
10M108	10M108SH	10	Stud - vent pipe clip	
10M109	10M109	11	Bolt - 3/8" UNC x 3.75"	
10M110	10M110	12	Restrictor - camshaft oil feed	
10M111	10M111	13	Dowel - main bearing cap	
10M112	10M112	14	Bolt - main bearing cap	
10M113	10M113	15	Washer - lock	
10M114	10M114	16	Gasket	
10M115	10M115SH	17	Screw	
10M116	10M116	18	Liner - camshaft bearing	
10M117	10M117	19	Liner - cylinder block	
10M118	10M118	20	Plug - cylinder drain tap boss	
10M119	10M119	21	Copper washer - 1/2"	
10M120	10M120	22	Tap - cylinder drain	
10M121	10M121	23	Washer - fibre - 1/2" ID	
Piston assembly				
10M122/S	10M122/S	24	Standard	
10M122/10	10M122/10	24	.010" (.254 mm) O/S	
10M122/20	10M122/20	24	.020" (.508 mm) O/S	
10M122/30	10M122/30	24	.030" (.762 mm) O/S	
10M122/40	10M122/40	24	.040" (1.016 mm) O/S	
10m122/60	10M122/60	24	.060" (1.524mm) O/S	
Rings - piston - set				
10M123/S	10M123/S	25	Standard	
10M123/10	10M123/10	25	.010" (.254 mm) O/S	
10M123/20	10M123/20	25	.020" (.508 mm) O/S	
10M123/30	10M123/30	25	.030" (.762 mm) O/S	
10M123/40	10M123/40	25	.040" (1.016 mm) O/S	
10M123/60	10M123/60	25	.060" (1.524mm) O/S	

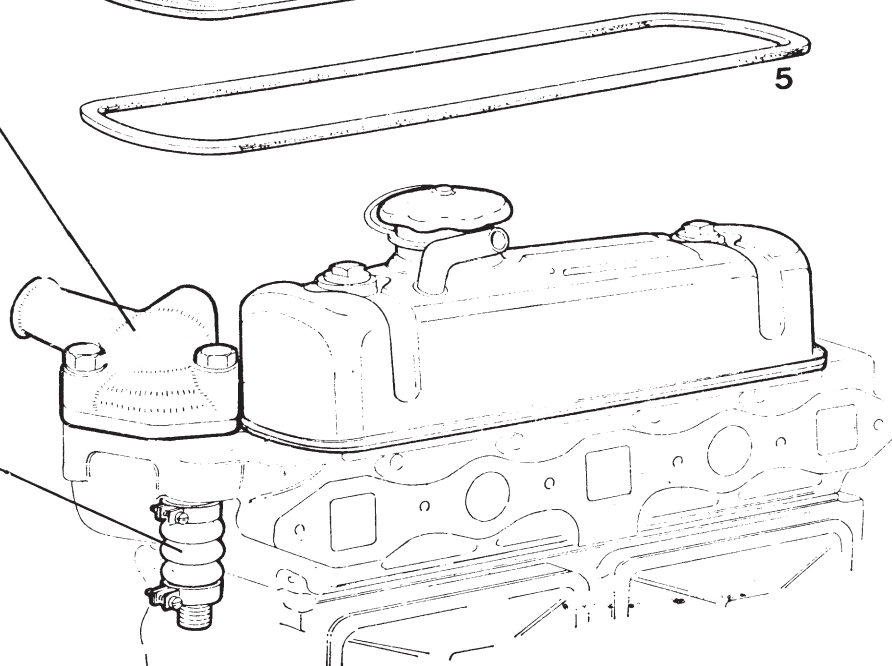
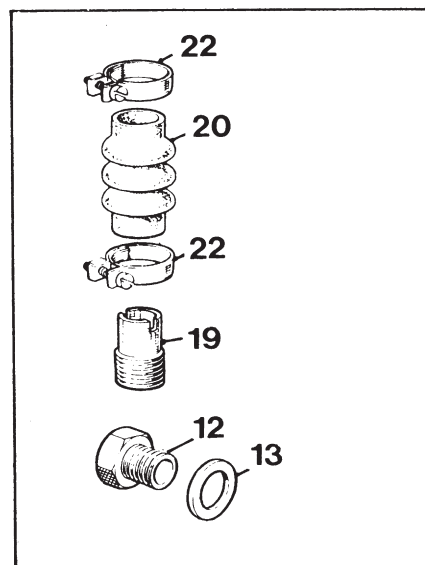
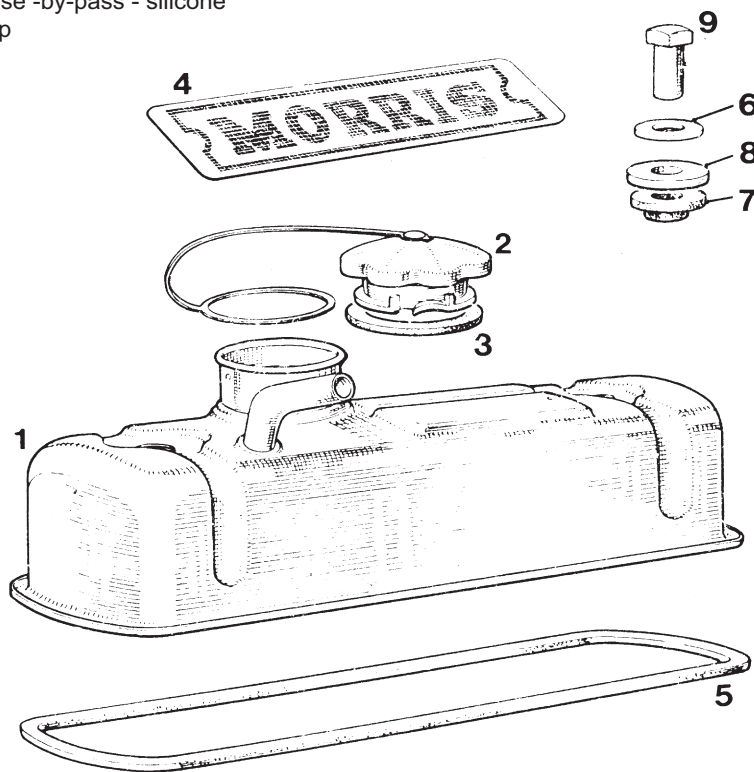
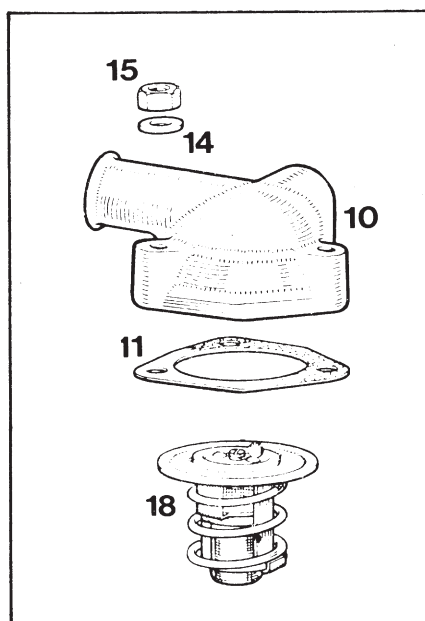


Part Number	ESM Order Ref.	Illus. No.	Description	Remarks
Connecting rods - bearings				
10M124	10M124	1	Rod - connecting - nos. 1 & 3 cylinders	
10M125	10M125	2	Rod - connecting - nos. 2 & 4 cylinders	
10M126	10M126	3	Screw	
10M127	10M127	4	Washer - lock	
Bearing - big end				
10M128/S	10M128S	8	Standard	
10M128/10	10M128/10	8	.010" (.254 mm) U/S	
10M128/20	10M128/20	8	.020" (.508 mm) U/S	
10M128/30	10M128/30	8	.030" (.762 mm) U/S	
10M128/40	10M128/40	8	.040" (1.016 mm) U/S	
10M128/60	10M128/60	8	.060" (?) U/S	
10M129	10M129	9	Crankshaft	
10M130	10M130SH	10	Restrictor - oil	
10M131	10M131	11	Bush - 1st motion shaft	
Bearing - main				
10M132/S	10M132S	12	Standard	
10M132/10	10M132/10	12	.010" (.254 mm) U/S	
10M132/20	10M132/20	12	.020" (.508 mm) U/S	
10M132/30	10M132/30	12	.030" (.762 mm) U/S	
10M132/40	10M132/40	12	.040" (1.016 mm) U/S	
Washer - thrust				
10M133/S	10M133S	13	Thrust washer set - standard	
10M133/03	10M133/3	13	Thrust washer set - .003" (.076 mm) O/S	
10M135	10M135	15	Gear - crankshaft	
10M136	10M136	16	Key	
10M137	10M137	17	Washer - packing - crankshaft gear	
10M138	10M138	18	Camshaft	
10M139	10M139SH	19	Pin - oil pump driving	
10M140	10M140	20	Plate - camshaft locating	
10M141	FIX136	21	Screw - 1/4 UNF x 3/4"	
10M142	10M142	22	Washer - shakeproof - 1/4"	
10M143	10M143	23	Gear - camshaft	
10M144	10M144	24	Ring - tensioner - pair	
10M145	9G227	25	Woodruff - 5/8"D x 5/32"	
10M146	10M138A	26	Washer - lock	
10M147	10M585	27	Nut	
10M148	10M148	28	Chain - timing	
10M149	10M149	29	Plate - engine mounting - front	
10M150	10M150	30	Gasket - plate to crankcase	
10M151	FIX138	31	Screw - plate to crankcase - 5/16" UNF	
10M152	FIX157	32	Washer - spring - 5/16"	
10M153	10M153	33	Screw - plate to bearing cap	
10M154	10M154	34	Plate - locking	
10M155	10M155SH	35	Flywheel	
10M156	10M156	36	Gear - ring - starter	
10M157	10M157	37	Dowel	
10M158	FIX104	38	Screw - Flywheel to crankshaft	
10M159	10M159	39	Washer - lock	
10M160	10M160	40	Tappet (cam follower) - standard	
10M161	10M161	41	Push rod	
10M162	10M162	42	Pulley - crankshaft	
10M163	FIX124	43	Nut - starting handle	
10M164	10M164	44	Washer - lock	
10M165	10M165SH	45	Distributor housing	
10M166	FIX136	46	Screw - 1/4" UNF x 3/4"	
10M167	10M142	47	Washer - shakeproof - 1/4"	
10M168	10M168	48	Spindle - distributor drive	

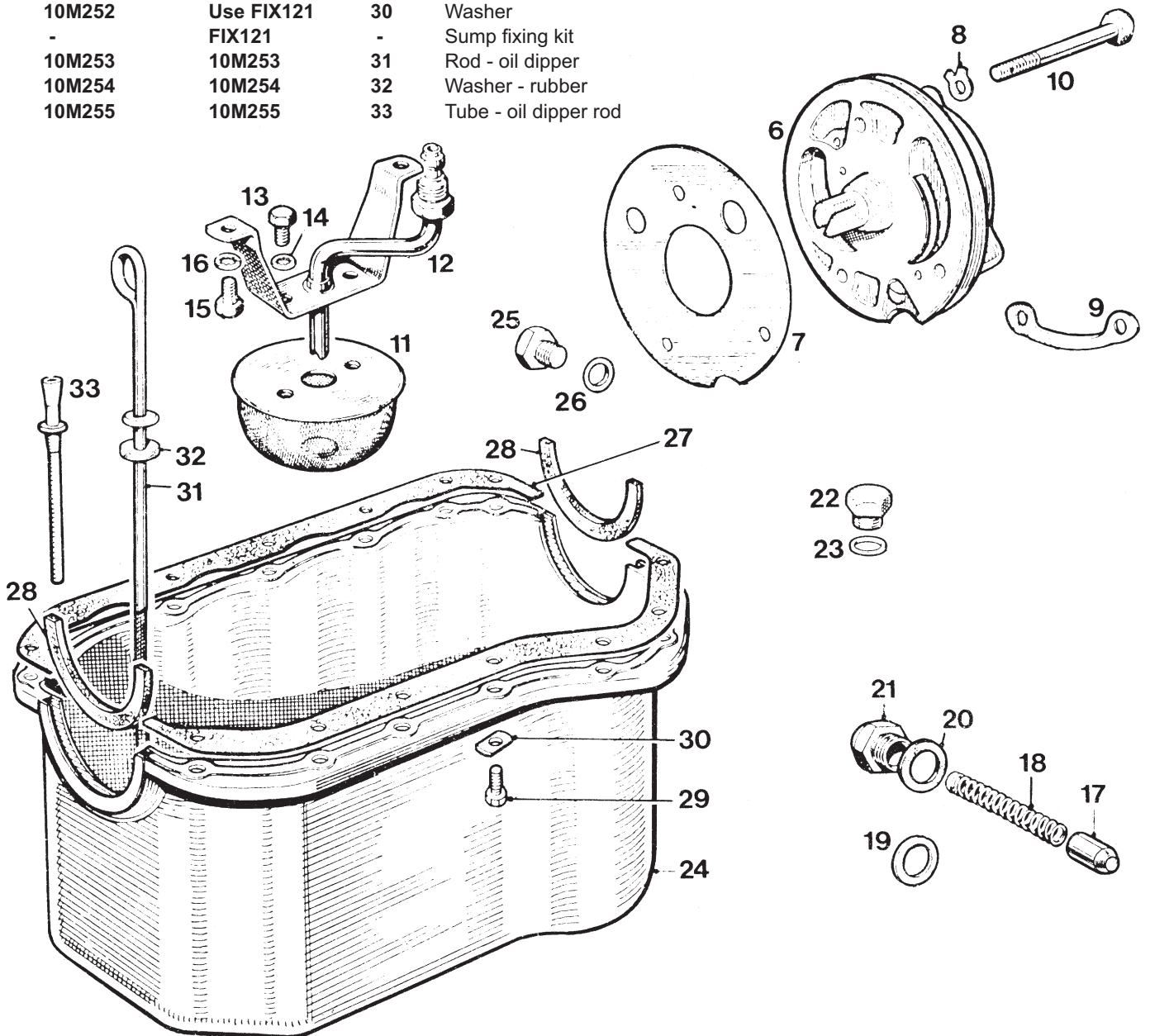


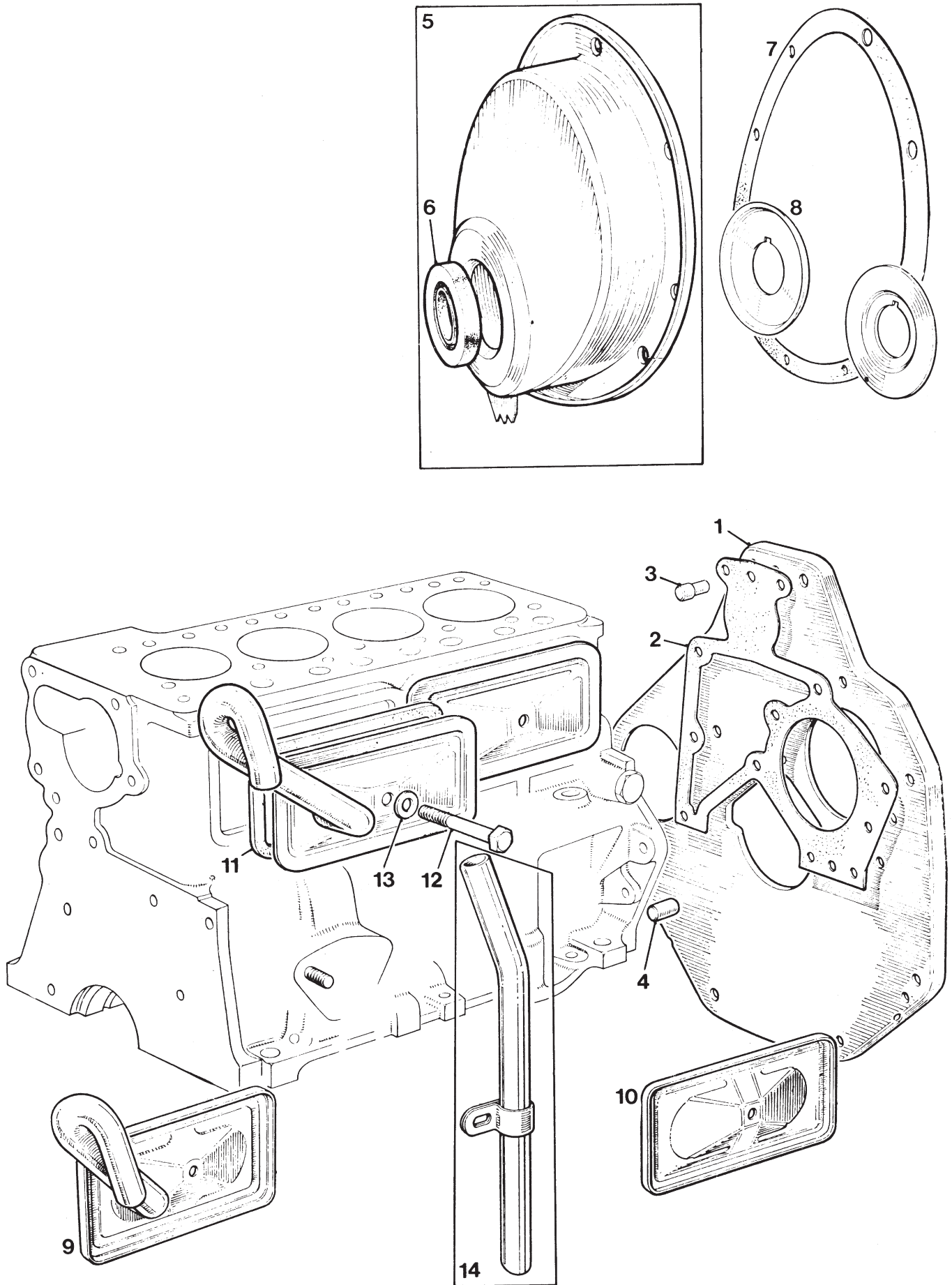
Part Number	ESM Order Ref.	Illus. No.	Description	Remarks
10M169	10M169	1	Head - cylinder (with guides and plugs)	
10M169G	10M401L	1	Head - cylinder - reconditioned - lead free	
10M170	10M170	2	Guide - inlet	
10M170	10M170	2	Guide - exhaust	
10M171	10M171	3	Plug - oil hole	
10M172	FIX113	4	Stud - water outlet elbow - 5/16" UNC/ 5/16" UNF	
10M173	FIX114	5	Stud - rocker bracket - long - 3 1/8"	
10M174	FIX115	6	Stud - rocker bracket - short - 2 5/8"	
10M175	FIX112	7	Stud - inlet and exhaust manifold	
10M176	FIX116	8	Stud - heater control tap	
10M177	10M177	9	Plate - cover - heater control tap	
10M178	HTR104	10	Gasket	
10M179	FIX156	11	Washer - spring - 1/4"	
10M180	FIX137	12	Nut - 1/4" UNF	
10M181	10M181	14	Valve - inlet	
10M182	10M182	15	Valve - exhaust	
10M182A	10M182A	15	Valve - exhaust - hardened for unleaded	
10M183	10M183	16	Spring - valve	
10M184	10M184	17	Cup - Valve spring	
10M185	10M185	18	Shroud - valve guide	
10M186	10M186	19	Valve stem seal - "O" ring type	
10M186A	10M186A	19	Valve stem seal - spring type	
10M187	10M187	20	Cotter - valve (collet) - pair	
10M188	10M188	21	Circlip	
10M189	10M189	22	Shaft assembly - rocker	
10M190	10M190	23	Shaft	
10M191	10M191SH	24	Plug - plain	
10M192	10M192SH	25	Plug - screwed	
10M193	10M193	26	Bracket - rocker shaft (tapped)	
10M194	10M194	27	Bracket - rocker shaft (plain)	
10M195	10M197	28	Rocker - valve	
10M196	10M196	29	Bush	
10M197	10M197	30	Rocker - valve - bushed (pressed steel)	
10M198	10M198	31	Screw - tappet adjusting	
10M199	10M199	32	Nut - lock	
10M200	10M200	33	Spring - spacing	
10M201	10M201	34	Screw - locating	
10M202	10M202SH	35	Plate - locating	
10M203	10M203	36	Plate - locking	
10M204	10M204	37	Washer - double coil	
10M205	10M205	38	Washer - plain	
10M206	FIX157	39	Washer - spring - rocker bracket stud	
10M207	FIX139	40	Nut	
10M208	10M208A	41	Gasket - cylinder head	
10M209	10M209	42	Washer - cylinder head stud	
10M210	FIX109	43	Nut - cylinder head stud	

Part Number	ESM Order Ref.	Illus. No.	Description	Remarks
10M211	10M211SH	1	Cover - valve rocker	
10M211A	10M211A		Cover - valve rocker - polished alloy	
10M555	10M555	2	Cap - oil filler	
10M213	USE 10M555	3	Washer	
ECP105	ACC130A	4	Rocker cover aluminium plate - 'Morris'	
ECP103	ACC130	4	Rocker cover sticker - 'Morris'	
-	ACC130C	-	Rocker cover aluminium plate - 'Austin'	
-	ACC130B	-	Rocker cover sticker - 'Austin'	
10M215	10M215	5	Gasket	
10M216	FIX107	6	Piece - distance	
10M217	FIX106	7	Bush (rubber)	
10M218	FIX108	8	Washer - cap	
10M219	FIX105	9	Nut - cap	
10M220	10M220	10	Elbow - water outlet	
10M221	10M221	11	Gasket	
10M222	10M222	12	Plug - thermal transmitter boss	
10M223	10M223	13	Washer - fibre - 5/8" ID	
10M224	FIX172	14	Washer - plain - 5/16" x 5/8"	
10M225	FIX139	15	Nut - water outlet stud - 5/16" UNF	
10M226	10M226	18	Thermostat - 82° C	
10M226A	10M226A	18	Thermostat - 88° C	
10M227	10M227	19	Adaptor - by-pass	
10M228	10M228	20	Hose - by-pass - original type with clips	
10M228A	10M228A	-	Hose - by-pass - solid type with clips	
-	10M228S	20	Hose -by-pass - silicone	
10M229	10M229	22	Clip	

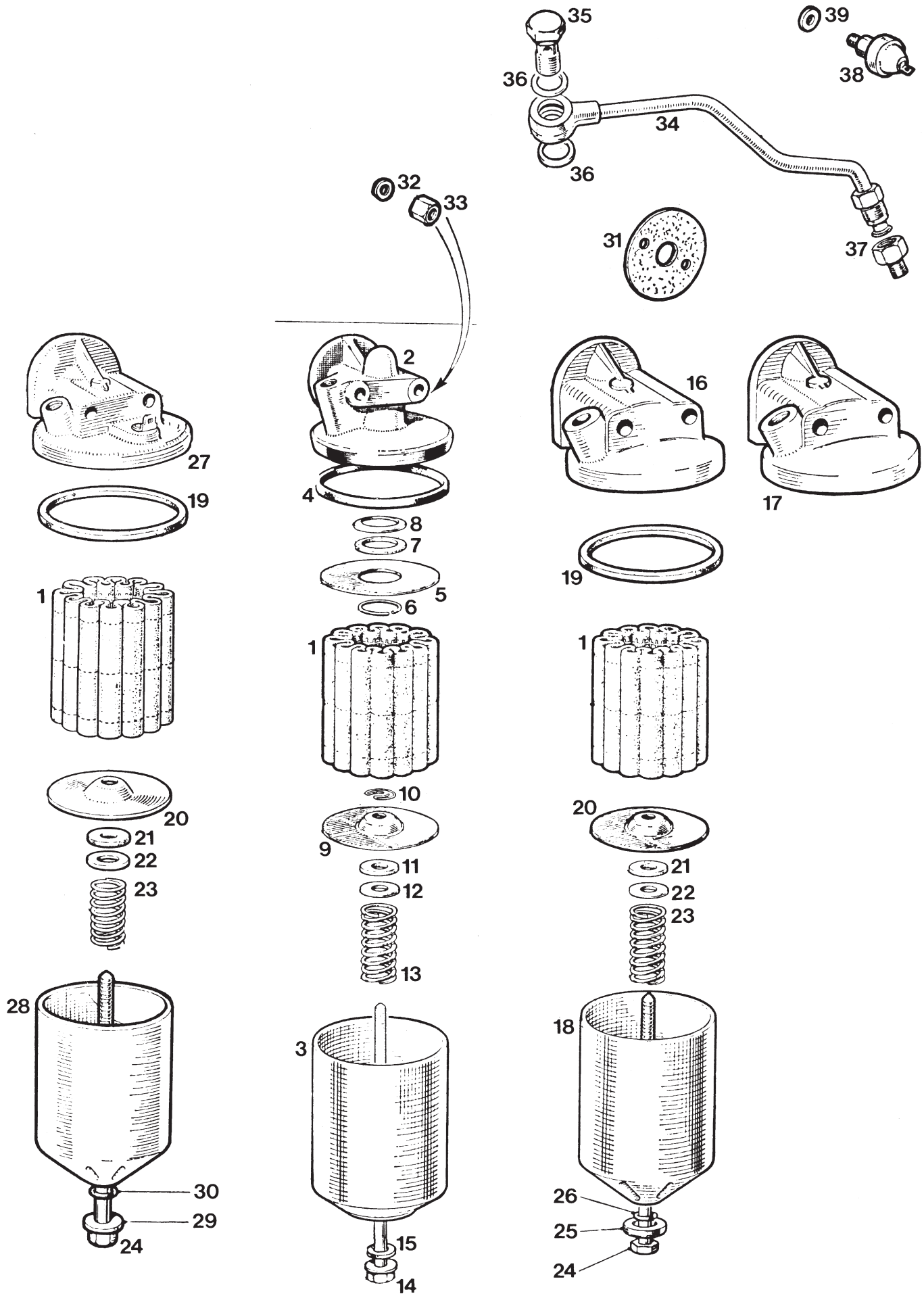


Part Number	ESM Order Ref.	Illus. No.	Description	Remarks
10M230	10M230	6	Pump - oil	
10M231	10M231	7	Gasket	
10M232	8M272	8	Washer - lock	
10M233	8M272	9	Plate - locking	
10M234	10M234	10	Bolt - pump to block - 1/4" UNF x 1 3/4"	
10M235	10M235	11	Strainer - oil	
10M236	10M236	12	Pipe - oil suction (with bracket)	
10M237	FIX136	13	Setscrew - bracket to strainer - 1/4" UNF x 1/2"	
10M238	FIX156	14	Washer - shakeproof - 1/4" I/D	
10M237	FIX136	15	Setscrew - bracket to bearing cap - 1/4" UNF x 1/2"	
10M238	FIX156	16	Washer - shakeproof - 1/4" I/D	
10M239	10M239/40	17	Valve - oil release	
10M240	10M239/40	18	Spring - valve	
10M241	10M241	19	Washer - fibre	
10M242	10M241	20	Washer - copper	
10M243	10M243	21	Nut - cap - oil release valve	
10M244	10M244	22	Plug - oil priming	
10M245	10M245	23	Crush washer - plug - 3/8"	
10M246	10M246SH	24	Sump - oil	
10M247	10M247	25	Plug - drain	
10M248	10M248	26	Washer - copper - 1/2"	
10M249	GSK110	27	Gasket set - sump	
10M250	Use GSK110	28	Seal - oil - main bearing cap	
10M251	Use FIX121	29	Screw - sump to crankcase - 1/4" UNF x 1/2"	
10M252	Use FIX121	30	Washer	
-	FIX121	-	Sump fixing kit	
10M253	10M253	31	Rod - oil dipper	
10M254	10M254	32	Washer - rubber	
10M255	10M255	33	Tube - oil dipper rod	



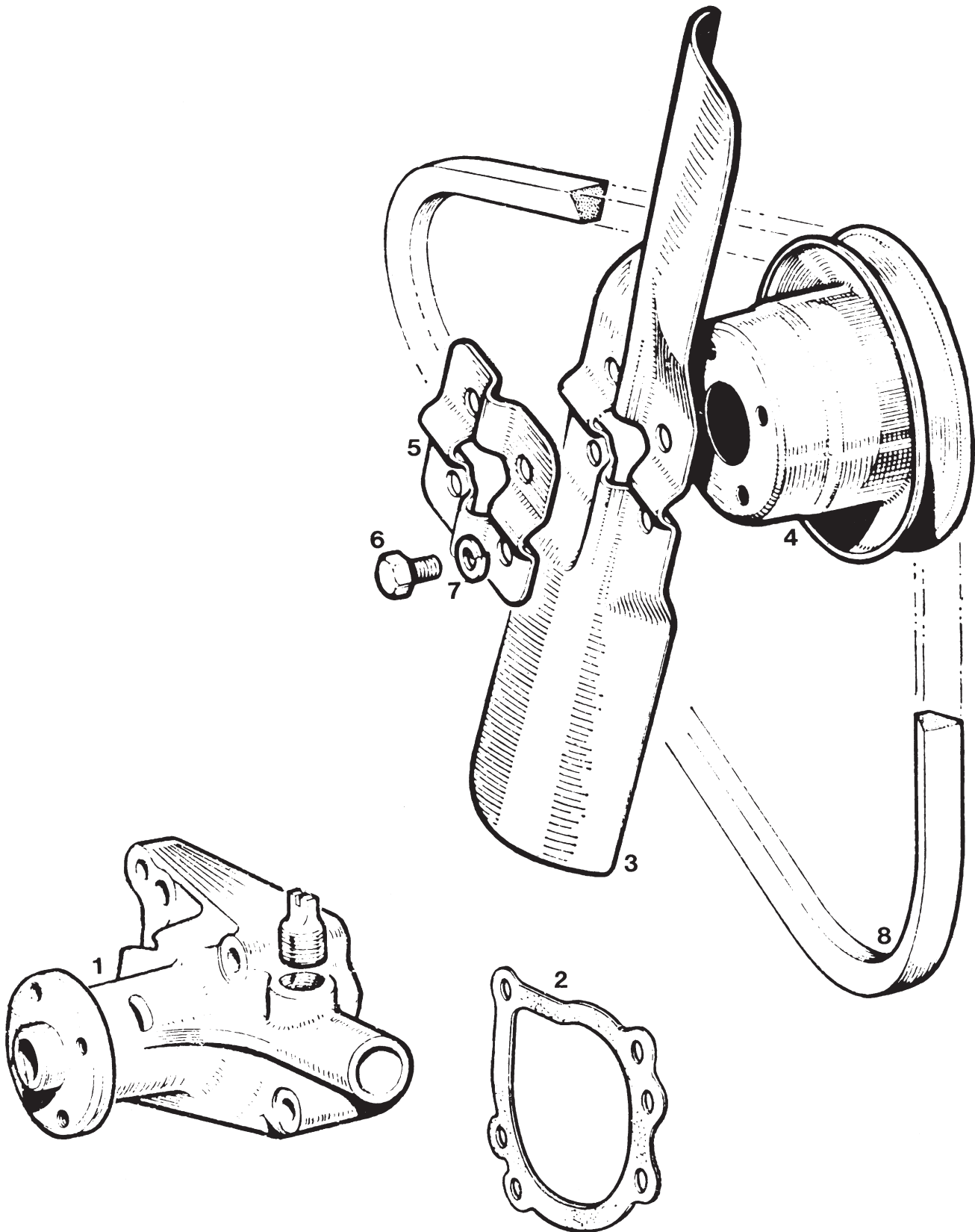


Part Number	ESM Order Ref.	Illus. No.	Description	Remarks
10M501	10M501SH	1	Plate - gearbox mounting	
10M502	10M502	2	Gasket - plate to crankcase	
10M503	10M503SH	3	Dowel - top	
10M504	10M504	4	Dowel - bottom	
10M505	10M505SH	5	Cover assembly - front	
10M506	10M506	6	Seal - oil	
10M507	10M507	7	Gasket - front cover	
10M508	10M508	8	Thrower - oil	
10M509	10M509SH	9	Cover - cylinder side - front	
10M510	10M510	10	Cover - cylinder side - rear	
10M511	10M511A	11	Gasket - side cover - cork	
10M512	10M512	11	Gasket - side cover - rubber	
10M513	FIX138C	12	Bolt - cover to crankcase - 5/16" UNF x 1 7/8"	
10M514	10M514	13	Washer - fibre	
10M515	10M515SH	14	Pipe assembly - vent	



Part Number	ESM Order Ref.	Illus. No.	Description	Remarks
Oil filter - Tecalemit				
10M256	10M256	1	Element	
10M257	10M257SH	2	Head	
10M258	10M258	3	Sump	
10M259	10M259	4	Seal - sump to head	
10M260	10M260SH	5	Plate - clamping	
10M261	10M261SH	6	Circlip	
10M262	10M262SH	7	Washer (felt)	
10M263	10M263SH	8	Washer - dished	
10M264	10M264	9	Plate - pressure	
10M265	10M265	10	Circlip	
10M266	10M266	11	Washer (felt)	
10M267	10M267	12	Washer - plain	
10M268	10M268SH	13	Spring - pressure plate	
10M269	10M269SH	14	Bolt - centre	
10M270	10M270	15	Seal - bolt to sump	
Oil filter - Purolator				
10M256	10M256	1	Element	
10M271	10M271SH	16	Head	
10M272	10M272SH	18	Sump	
10M273	10M273	19	Seal - sump to head	
10M274	10M274	20	Plate - pressure	
10M275	10M275	21	Seal	
10M276	FIX109A	22	Washer - plain	
10M277	10M277	23	Spring - pressure plate	
10M278	10M278	24	Bolt	
10M279	10M279	25	Collar	
10M280	10M280	26	Seal	
Oil Filter (with pressure switch)				
10M281	10M281SH	27	Head - with switch	
10M282	10M282SH	28	Sump	
10M283	FIX109A	29	Washer - plain	
10M284	10M275	30	Seal	
10M285	10M285	31	Gasket - filter to crankcase	
10M286	FIX158	32	Washer - spring	
10M287	FIX140	33	Nut - filter stud	
10M288	10M288	34	Pipe - oil	
10M289	10M289	35	Screw - banjo union	
10M290	10M290	36	Washer - copper	
10M291	10M291	37	Connection - flared	
10M292	10M292	38	Switch - oil pressure	
10M293	10M245	39	Washer - copper	

Part Number	ESM Order Ref.	Illus. No.	Description	Remarks
10M294	10M294	1	Pump - water	
10M295	10M295	2	Gasket	
10M296	10M296	3	Blade - fan	
10M297	10M297SH	4	Pulley - fan and water pump	
10M298	10M298	5	Stiffener - fan blade	
10M299	FIX136	6	Screw - 1/4" UNF x 5/8"	
10M300	FIX156	7	Washer - spring - 1/4"	
10M301	10M301	8	Fan belt	



Part Number	ESM Order Ref.	Illus. No.	Description	Remarks
			Inlet and exhaust manifold	
10M302	EX120	1	Manifold - inlet and exhaust	
10M303	EX120	1A	Manifold - inlet and exhaust	
10M304	10M304	2	Gasket	
10M305	10M305SH	3	Stud - carburetter to manifold	
10M306	FIX111	4	Washer - clamping	
10M307	FIX172	5	Washer - plain - 5/16" x 5/8"	
10M308	FIX110	6	Nut - manifold (brass)	
10M309	10M222	7	Plug - manifold	

